



# MOBILAIR M 171

## Portable Compressor

With the world-renowned SIGMA PROFILE ⚙️

Flow rate 11.5 to 17.0 m<sup>3</sup>/min (405 – 600 cfm)

# MOBILAIR M 171

## Environmentally friendly powerhouse

Compact, powerful, and versatile – the MOBILAIR M 171 from KAESER delivers exceptional performance and also impresses with its compact design and remarkable flexibility. An eco-friendly EU Emission Stage V engine provides the necessary power for your construction site. With innovative pV Control, this compressor offers remarkable versatility, allowing a single unit to operate between 6 and 14 bar.

## Exceptionally versatile

These versatile portable compressors can be perfectly adapted to meet the needs of the specific application. Thanks to a wide range of optional compressed air treatment components, they are always capable of providing the required compressed air quality. Moreover, the choice of various chassis configurations with overrun brake, or stationary versions on skids / machine feet, means that these compressors can be perfectly adapted to suit any work environment.

## Durable and resilient

The MOBILAIR M 171 is well equipped for continuous construction site duty, even under the harshest of conditions. Even standard versions are capable of operating in ambient temperatures ranging from -10 °C to +45 °C. The optional low-temperature version features engine coolant preheating, whilst synthetic cooling fluid is used for the compressor.

## Made in Germany

The various ranges of MOBILAIR portable compressor are all manufactured at KAESER's headquarters in Coburg, Northern Bavaria. Equipped with the very latest technology, the recently modernised portable compressor plant boasts state-of-the-art equipment, including a TÜV-certified sound testing area for free-field sound level measurement, a facility for high-performance, high-quality powder coating, and efficient manufacturing logistics.

## SIGMA PROFILE airend

At the heart of every MOBILAIR system lies a premium-quality airend featuring KAESER's energy-saving SIGMA PROFILE rotors. The airend's optimised flow characteristics enable it to deliver more compressed air for less energy.

## Typical applications



Abrasive blasting



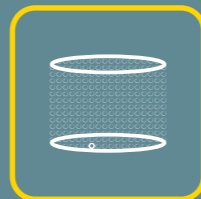
Tunnel construction



Drilling



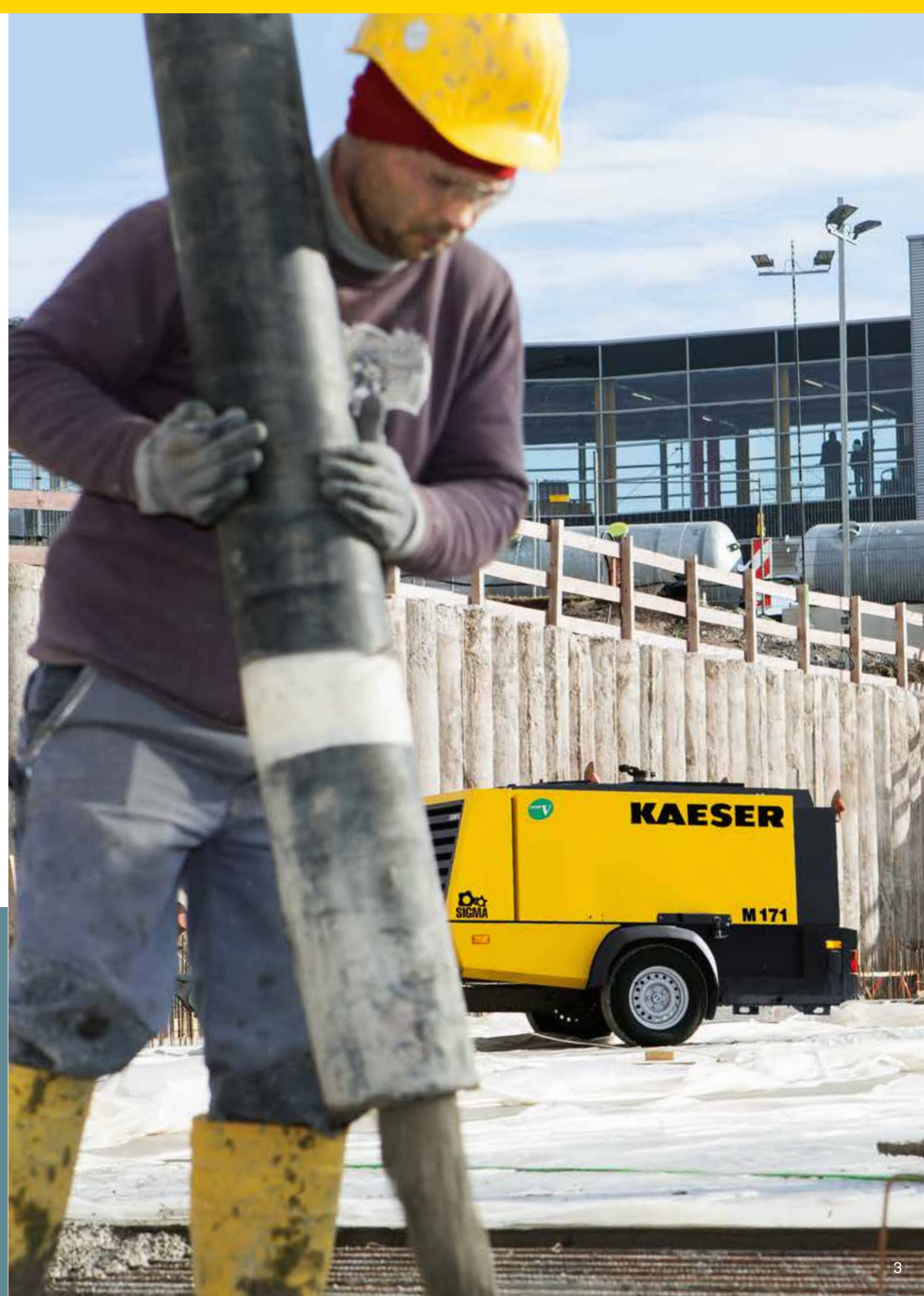
Concrete spraying



Bubble curtains



Cable blowing



# Meticulous design for perfect performance

## 4 Suitable for refinery use

To ensure safe operation in refineries, portable compressors come equipped with a standard spark arrestor and an engine shut-off valve, which automatically switches the machine off upon intake of combustible gases.

## 5 SIGMA CONTROL MOBIL 2

As the latest controller to feature touch display technology, the SIGMA CONTROL MOBIL 2 allows convenient operating pressure adjustment even when wearing work gloves. The easy-to-read display provides a clear overview of all operating data.

## 6 Technically oil-free compressed air

Depending on the application, the compressor can also be equipped with a microfilter combination for technically oil-free compressed air. With a compressed air oil aerosol content of less than 0.01 mg/m<sup>3</sup> as per ISO 8573-1, applications can be carried out in compliance with ZTV-ING standards.



## 1 Intuitive operation

KAESER placed special emphasis on user-friendliness when designing the operating concept for their MOBILAIR compressors. With just a single rotary switch for machine start/stop, operation is straightforward and intuitive.

## 2 Compressed air outlet

The M 171 has all of your compressed air needs covered with its various available compressed air connections. Compressed air can be drawn off via 3 x G<sup>3/4</sup> claw couplings and 1 x G2 threaded connection.

## 3 Closed floor pan

The closed floor pan catches any fluids to safeguard against direct ground contamination. All drainage holes are sealed with screw plugs.

## 7 Service-friendly

Our MOBILAIR compressors are designed for user-friendly servicing. All maintenance points are easily accessible via two generously sized body panels. KAESER also offers tailored maintenance contracts to meet your individual needs.

## 8 Safety air filter as standard

When cleaning the air filter, additional safety elements prevent damage from occurring due to ingress of contaminants. This enables maintenance to take place even under harsh environmental conditions.

## 9 Generous tank capacity

When full, the fuel tank has sufficient capacity to last an entire work shift. The fuel level can be checked at a glance via the analogue gauge, and an automatic shutdown feature is activated when the fuel level becomes too low. For added convenience, a fuel level warning is displayed on the controller.

# TELEMATICS @ MOBILAIR

TELEMATICS condition monitoring brings Industrie 4.0 to the construction site. KAESER equips its portable compressors with a built-in modem, connecting them to the TELEMATICS portal. The integrated SIGMA CONTROL MOBIL 2 compressor controller gathers and processes all operating data, which it subsequently forwards to the TELEMATICS portal. Central monitoring and processing of operating messages is performed in the dashboard. You can therefore view operating data, current messages and system location online.

## Compressed air treatment variants

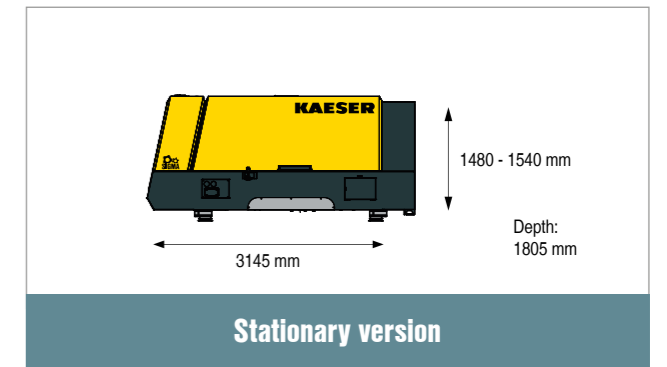
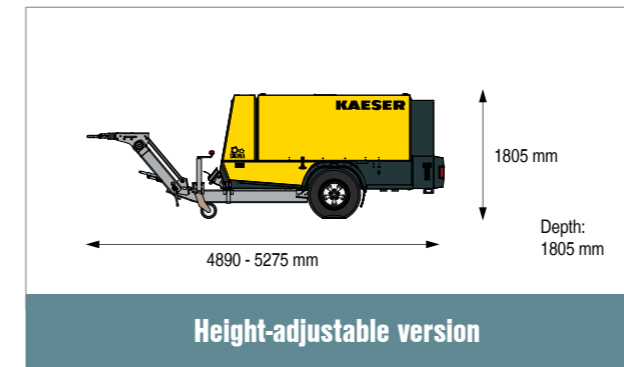
| System   | Components   | Description   |
|--|--|---|
| <b>System A</b><br>- Cool<br>- Condensate-free               | Compressed air aftercooler, Centrifugal separator                    | Cool, condensate-free compressed air (100 % saturated), for compressed air tools and temporary replacement of stationary compressors              |
| <b>System F</b><br>- Cool<br>- Condensate-free<br>- Filtered | Compressed air aftercooler, Centrifugal separator, Filter            | Cool, condensate-free compressed air (100 % saturated), free from dirt particles and technically oil-free as per applicable regulations (ZTV-ING) |
| <b>System B</b><br>- Warmed<br>- Dried                       | Compressed air aftercooler, Centrifugal separator, Reheating         | Dried compressed air, warmed to min. 20 °C, for working at sub-zero temperatures and with long air lines  |
| <b>System G</b><br>- Warmed<br>- Dried<br>- Filtered         | Compressed air aftercooler, Centrifugal separator, Filter, Reheating | Dried compressed air, warmed to min. 20 °C, free from dirt particles, technically oil-free as per applicable regulations (ZTV-ING)                |

## Technical data

| Model       | Compressor          |            |                  |            | Engine |             |                    | System             |                      |                  |                                 |                                    |  |
|-------------|---------------------|------------|------------------|------------|--------|-------------|--------------------|--------------------|----------------------|------------------|---------------------------------|------------------------------------|--|
|             | Flow rate           |            | Working pressure |            | Make   | Model       | Rated engine power | Fuel tank capacity | AdBlue tank capacity | Operating weight | Sound power level <sup>1)</sup> | Sound pressure level <sup>2)</sup> | Compressed air outlet <sup>3)</sup>                                    |
|             | m <sup>3</sup> /min | cfm        | bar              | PSI        |        |             |                    |                    |                      |                  |                                 |                                    |  |
| <b>M171</b> | 17<br>15.5          | 600<br>550 | 8<br>14          | 125<br>200 | Deutz  | TCD 6.1 L06 | 125                | 200                | 20                   | 2800             | ≤99                             | 67                                 | 3 x G <sup>3</sup> / <sub>4</sub><br>1 x G <sup>1</sup> / <sub>2</sub> |

<sup>1)</sup> Guaranteed sound power level LWA as per directive 2000/14/EC  
<sup>2)</sup> Surface sound pressure level LpA as per ISO 3744 (r = 10 m)  
<sup>3)</sup> G<sup>1</sup>/<sub>2</sub>" = Connection thread size – Hoses with G<sup>3</sup>/<sub>4</sub>" claw couplings can be connected

## Dimensions



Note: Specifications may vary depending on version.

## KAESER KOMPRESSOREN – Sustainability guaranteed

To learn more about the new standards KAESER has established in reliability, efficiency and sustainability, visit us at [www.kaeser.de/unternehmen/ueber-uns/sustainability/](http://www.kaeser.de/unternehmen/ueber-uns/sustainability/).



**RETHINK**



**RESEARCH**

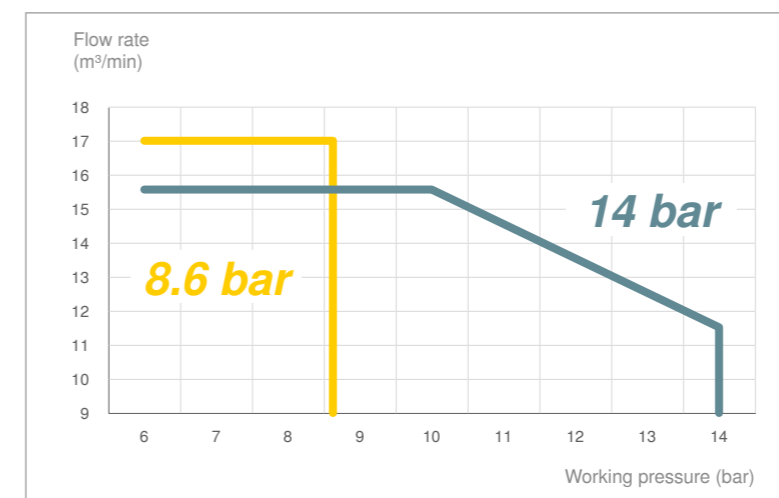


**REDUCE**



**REPAIR**





## pV Control

Maximum pressure (p) can be adjusted in steps of 0.1 bar. pV Control directly influences maximum possible flow rate (V) and therefore offers even greater variability in terms of pressure and flow rate. This feature is particularly beneficial when working with longer hose lines.

**More compressed air for less energy**

# The world is our home

As one of the world's largest manufacturers of compressors, blowers and compressed air systems, KAESER KOMPRESSOREN is represented throughout the world by a comprehensive network of wholly owned subsidiaries and authorised distribution partners in over 140 countries.

By offering innovative, efficient and reliable products and services, KAESER KOMPRESSOREN's experienced consultants and engineers work in close partnership with customers to enhance their competitive edge and to develop progressive system concepts that continuously push the boundaries of performance and technology. Moreover, decades of knowledge and expertise from this industry-leading systems provider are made available to each and every customer via the KAESER group's advanced global IT network.

These advantages, coupled with KAESER's worldwide service organisation, ensure that every product operates at the peak of its performance at all times, providing optimal efficiency and maximum availability.



## **KAESER KOMPRESSOREN SE**

P.O. Box 2143 – 96410 Coburg – GERMANY – Tel +49 9561 640-0 – Fax +49 9561 640-130  
E-mail: [productinfo@kaeser.com](mailto:productinfo@kaeser.com) – [www.kaeser.com](http://www.kaeser.com)